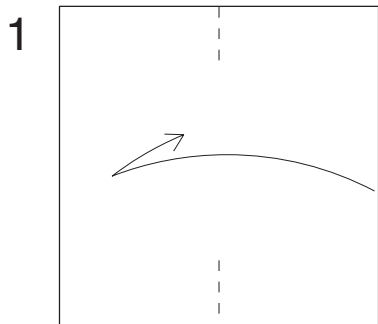
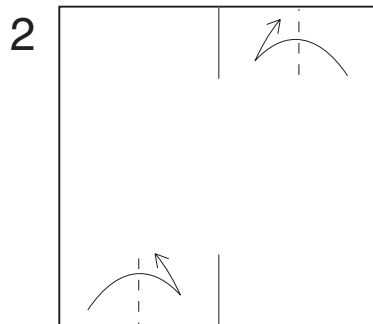


CORNER BOOKMARK (inventor unknown)



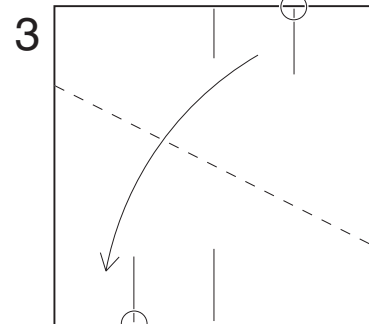
1

Fold in half, but crease only the ends.



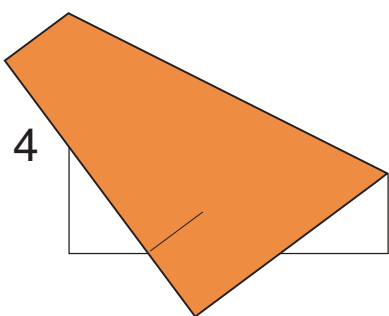
2

Make landmark creases for the quarters.



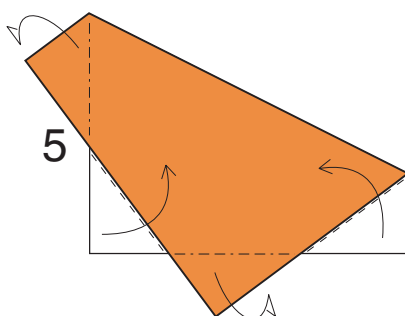
3

Fold so that the two landmarks meet.



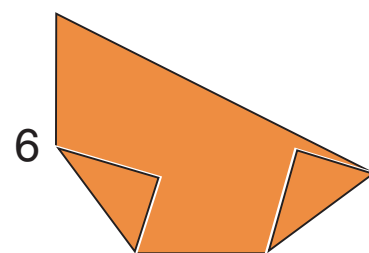
4

Like so.



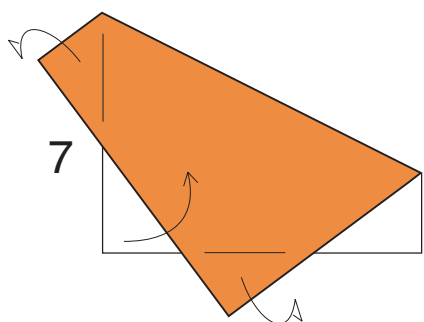
5

Fold the four corners "wrapping around" the raw edges of the paper.



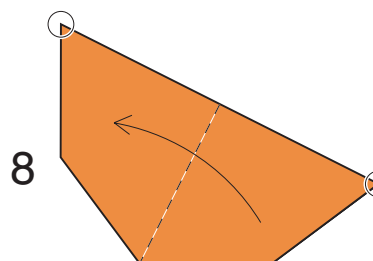
6

Like so. Now unfold the four corners.



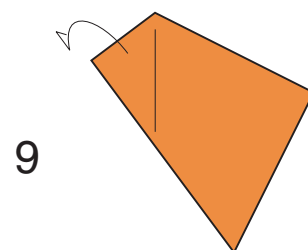
7

Fold these three corners, but tuck them in the middle this time.



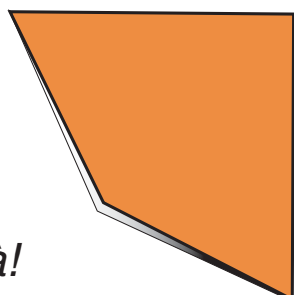
8

Fold more or less in half, bringing the two circled corners together.



9

Tuck the final corner into the bottom layer, forming a single pocket.



rotate slightly... *Et voilà!*

